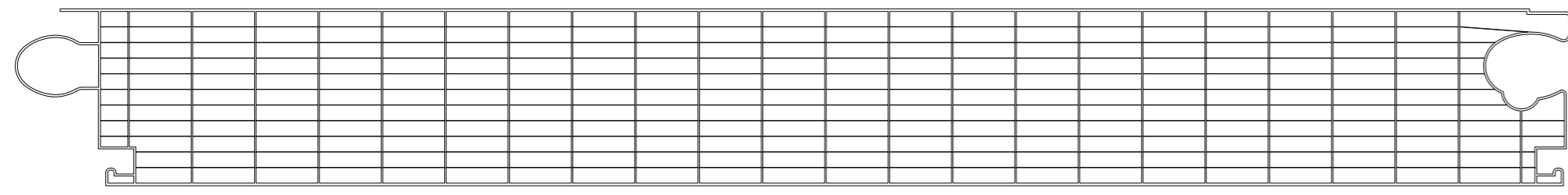
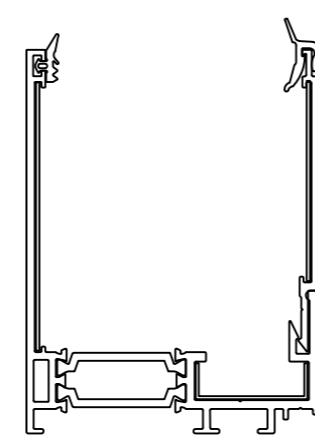


PANEL 60mm

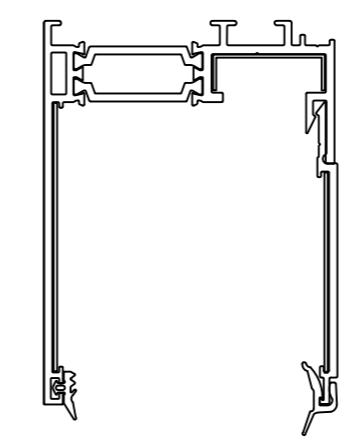


PC 2560-12

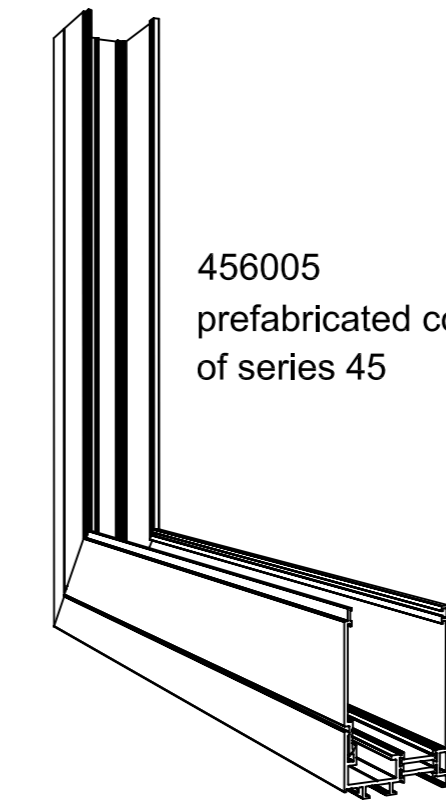
PROFILES 60 mm



456001+492092/93
(493082 profile connector)
(493006 profile connector)
(493081 profile connector front plate)

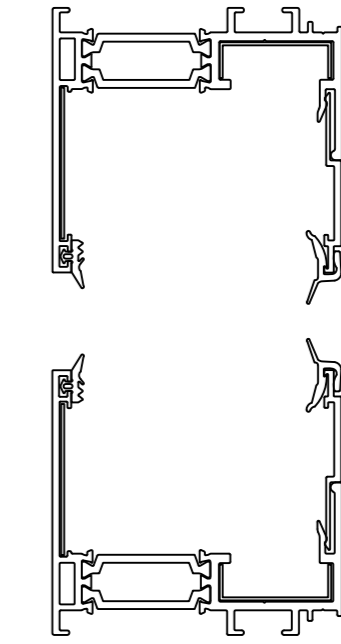


456002+492092/93
(493082 profile connector)
(493006 profile connector)
(493081 profile connector front plate)

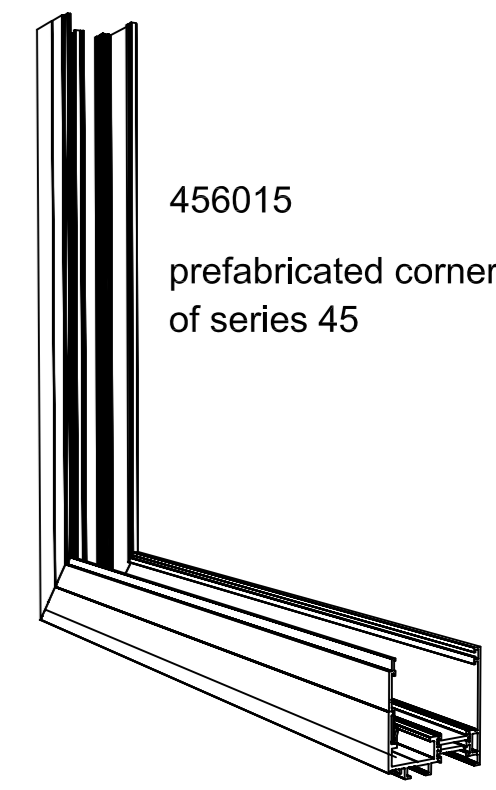


456005
prefabricated corner
of series 45

456012+492042/43
(493006 profile connector)
(493034 profile connector)

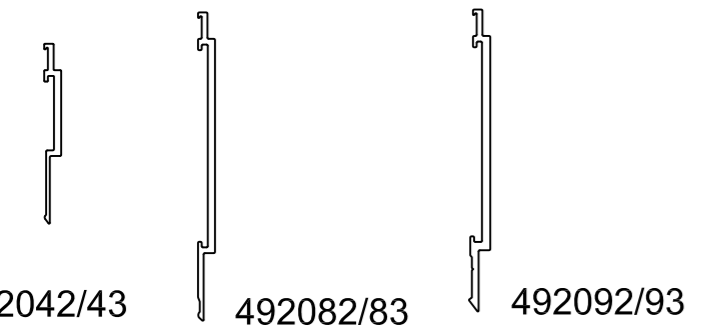


456011+492042/43
(493006 profile connector)
(493034 profile connector)



456015
prefabricated corner
of series 45

FRONT PLATES



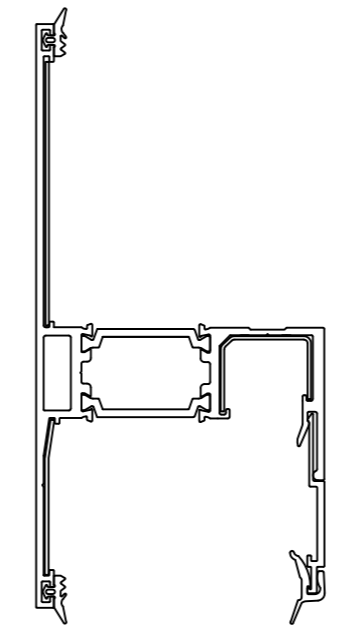
492042/43 492082/83 492092/93

GASKETS

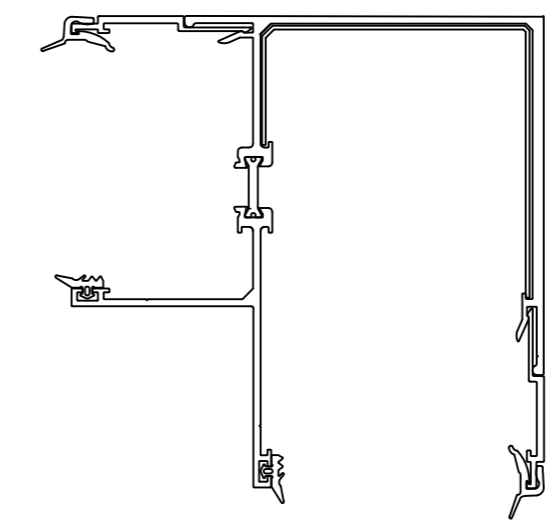
non scale



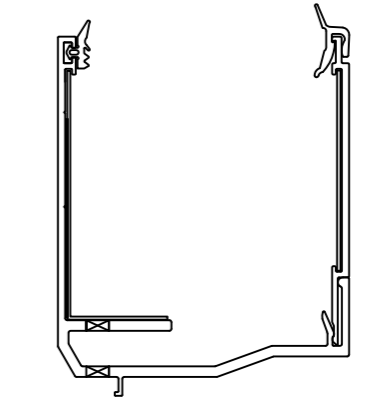
902901 902902
TPE TPE
grey grey



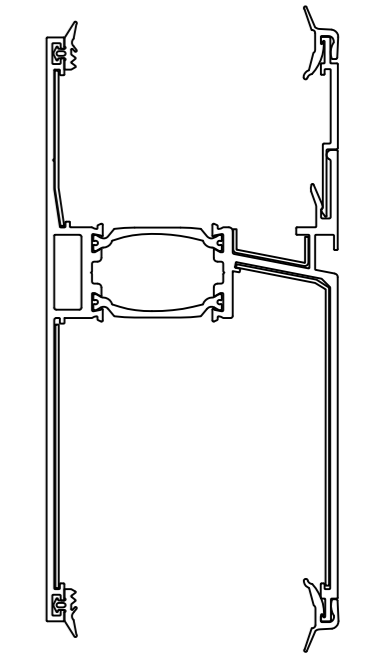
4460003+492042/43
(493011+493064+493063 profile connector)



446072+ 2* 492042/43
(493020 profile connector)

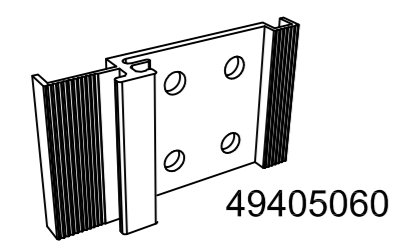


406051+492083
(493051 profile connector)
(493081 profile connector front plate)

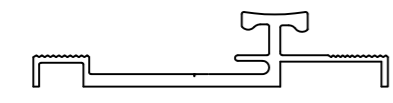


446062+492042/43
(493064+493065 profile connector)
(493063+493062 profile connector)

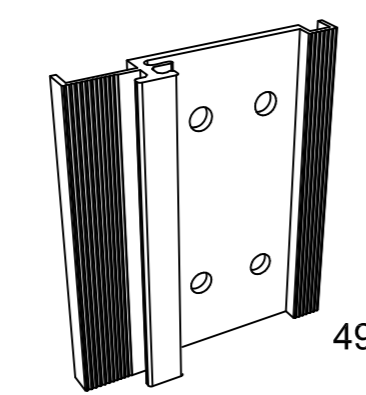
FASTENER



49405060

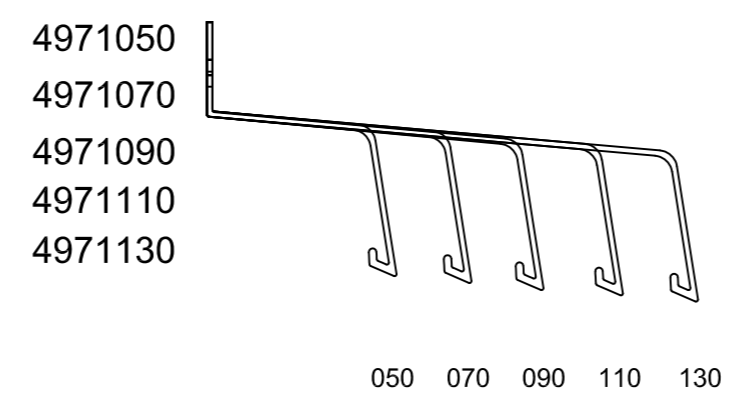


49405060 / 494050120

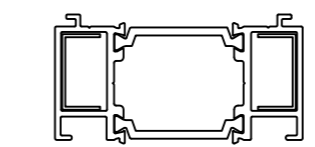


494050120

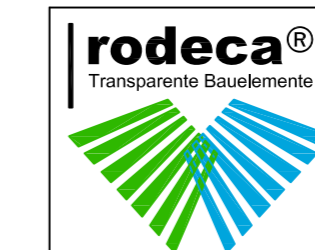
WINDOW SILLS / ADAPTER



4971050
4971070
4971090
4971110
4971130



499060 for series 45
(493008 profile connector)



rodeca[®]
Transparente Bauelemente
RODECA® GmbH
Freiherr vom Stein Str. 165
45473 Mülheim an der Ruhr
Tel. +49(0)208/76502-0
Fax +49(0)208/76502-17
E-Mail info@rodeca.de
Internet www.rodeca.de

| | | | |
|------------------|------------------------|---------------------------------|--------------------------|
| Zeichnungsnummer | 60mm panels + profiles | Ordner | Rodeca/Profile/Übersicht |
| Datum | 29.07.2016 | Bez. | Paneele+Profile |
| Maßstab | 1:2 | Technische Änderung vorbehalten | |

Unsere Zeichnungen dürfen weder vervielfältigt, noch Dritten zugänglich gemacht werden. Der Mißbrauch hat strafrechtliche Folgen.